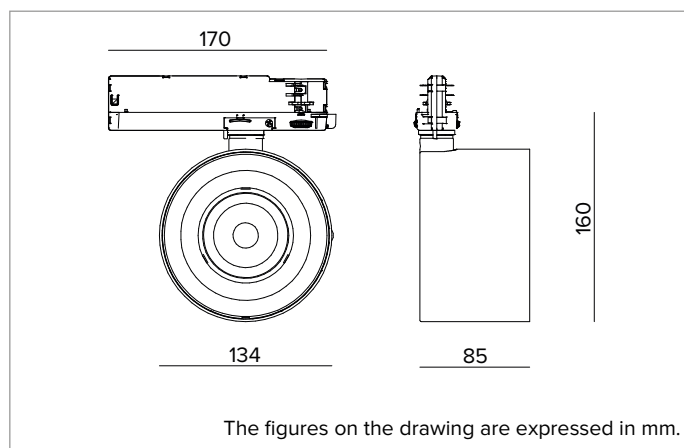


## T039WWR930ELDB | ZENO 130

### Professional adjustable LED projector



		3000K	H(m)	D1(m)	D2(m)	E <sub>max</sub> (lx)
		Ra90	34°	54°		
Fixture Power	29W	1	1.06	1.16	1538	
Source Flux	2999lm	2	2.11	2.33	385	
Fixture Flux	1697lm	3	3.17	3.49	171	
Efficacy	58lm/W	4	4.23	4.65	96	
TS1224	I <sub>max</sub> =745cd/klm	I <sub>max</sub>	2235cd	5	5.28	5.81 62



#### SOURCE

High efficiency Chip on Board LED Ra90. Ra97 on request.

**Energy efficiency class:** D

**Nominal power:** 26W

**Nominal flux:** 2999lm

**Colour rendering index:** 90

**Rf:** 92

**Rg:** 101

**CCT nominal:** 3000K

**Lifetime (L80/B10):** >50000h tq +25°C

#### ILLUMINOTECHNICAL CHARACTERISTICS

Wall Washer version with a highly reflective pre-anodised specular aluminium optic, a PMMA holographic screen and a black polymer covering element.

**Optic:** WALL WASHER

**Beam angles:** WW

**Optical efficiency:** 57%

**Fixture flux:** 1697lm

**Luminous efficacy:** 58lm/W

**Photobiological safety:** Compliant with RG1 low risk group

#### MECHANICAL CHARACTERISTICS

Die-cast painted aluminium optical unit. The optical unit can be adjusted from 0 to -90° on the vertical plane; and 355° on the horizontal plane with aiming blocking system.

**Colour and finish:** Deep black

**Weight:** 0.8Kg

**Degree of protection:** IP20

#### ELECTRICAL CHARACTERISTICS

ON-OFF electronic driver integrated into the track adapter.

**Fixture Power:** 29W

**Power supply:** 220-240Vac 50/60Hz

**Insulation Class:** CLASS 2

**Type of driver / Control:** ON-OFF

**Driver included:** YES

**Class F:** YES

**Ambient temperature:** 0°C / +25°C

#### INSTALLATION

Electrified track mounting. Mechanical and optic accessories available, to be installed with holder ring (necessary).

#### NOTES

110-277Vac version available on request.

#### WARRANTY

5 years.

#### WARNING

Luminaire designed for disposal/recycling at end-of-life. Replaceable (LED only) light source by a professional. Replaceable control gear by a professional.

*Due to the technological evolution of the electronic components, the data provided may be updated, and as such, confirmation must be requested during the order process.*

*Luminous flux and power supply have +/-10% tolerances with respect to the indicated value. tq +25°C (CIE 121).*

*We reserve the right to make technical changes.*

Targetti Sankey S.r.l.  
Via Pratese, 164  
50145 Firenze - Italy  
Tel: +39 055 37911  
targetti.com  
targetti@targetti.com

CCIAA Firenze  
Share Capital:  
€ 500.000,00  
VAT N. (IT):  
01537660480  
R.E.A: FI-275656

**TARGETTI**